

item	type	K 11	K 12
port size		G 1/4	G 3/8
description		3/2-path-valve, shut off for downstream air	
mounting		arbitrary	
supply pressure		max. 16 bar	
media and ambient			
temperature		max. 60°C	
nominal discharge		Qn 2800 l/min (Pe = 6 bar, delta P = 1 bar)	
manipulation		toggle 90° rotation	
fixing		2 holes in the body or bracket	
weight		0,360 kg	

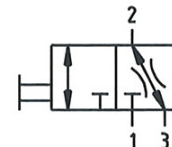


replacement parts

no	description	material	order-no.
1	body	zinc - Z 410	---
2	globe-stopcock	Ms	---
3	jaw	PTFE	---

application information

- easy block assembly for components to be connected in series
- interlocking of several individual devices requires coupling kit(s) KP 11
- interlocking of several individual devices with narrow distributor Z 11 requires coupling kit(s) KP 11 Z
- rebuilding to a 2/2-path-valve: close the pressure release hole "R"
- lockable by padlock (high of shackle 20 mm)



series 1

ordering information

K **
 type
 port size option

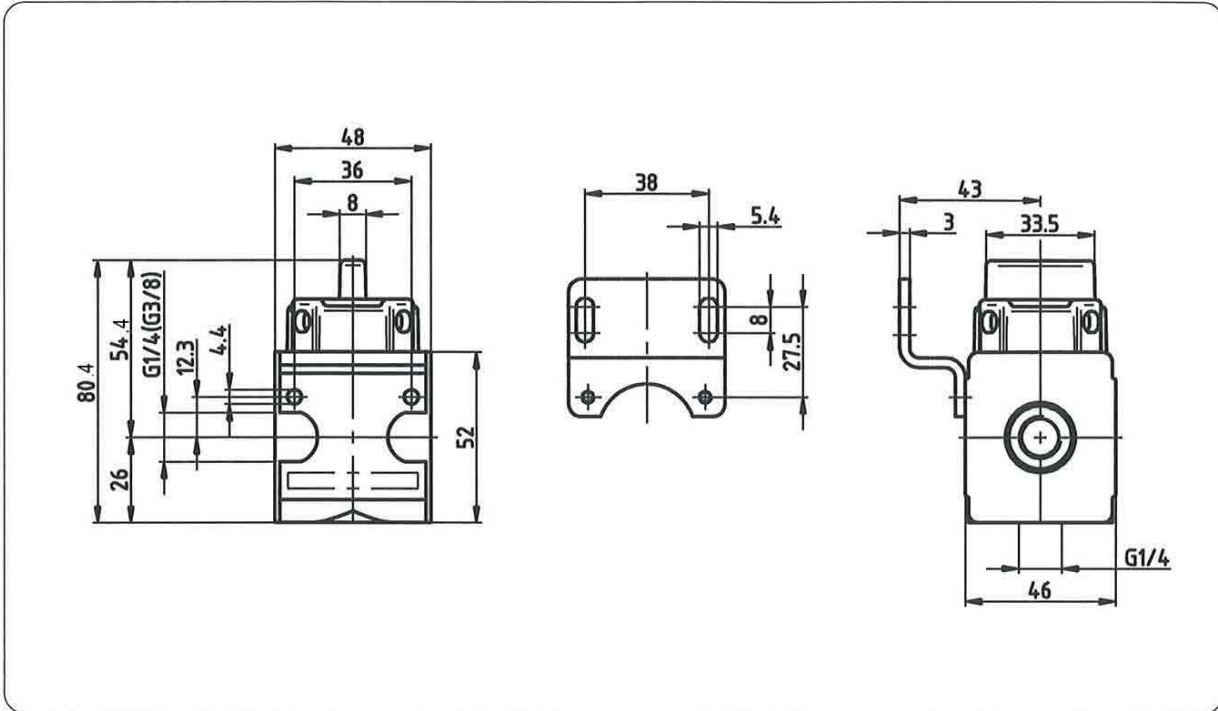
ordering example: K 11

port size	
1	11 G 1/4
	12 G 3/8
options	
2	

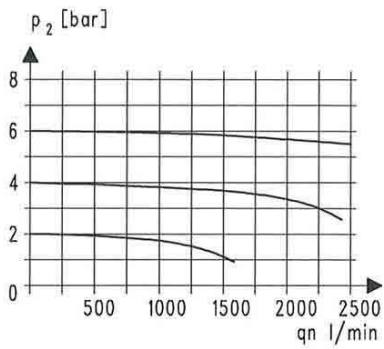
Ball valve

»multifix« series

Art. No. K 11 and K 12 – Ident No. 100611 and 100612

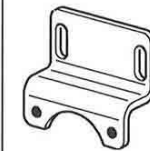


flow characteristics



accessories

mounting bracket



type: ZW 11